

## Features

- Plug/Socket Assemblies  
*Float and Rotate*
- Captive Screws  
*expedite connection and disconnection*
- Mounting Versatility



## The Ribbon Tube Connector

The Ribbon Tube Connector easily connects and disconnects sections of a system, ensuring fast installation of multiple tube lines. This feature is especially important when replacing test equipment fixtures, installing new equipment, or repairing machines.

The combination of the Pneumadyne Ribbon Tube Connector with multi-bore or multi-color ribbon tubing provides a cost effective method of routing multi-tubing and eliminates the need for spiral wrap or jacketing.

The Ribbon Tube Connector consists of two black anodized aluminum retaining bars each containing four (4) channels for the barb connectors. The plug/socket barb assemblies float and rotate within their respective retaining bars to accommodate the natural twist (lay) of single tubing. To prevent misconnection, one channel connection is off-set.

## Performance Data

Temperature Range	Operating Pressure	Mounting
-20° to 160° F -28° to 71° C	125 psi max.	Panel or Surface

- Please refer to page 28 for flow rate information

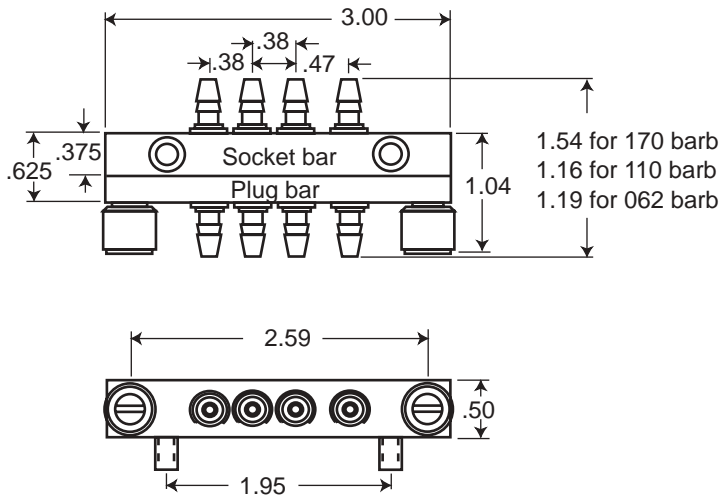
When additional lines are required, more connectors can be stacked to accommodate the additional tubing lines.

Two (2) spring loaded captive screws connect the two (2) retaining bars. These screws can be hand tightened, or tightened with a flat-blade screw driver if necessary. The snap-in style spring loaded captive screw expedites assembly and disassembly.

The Ribbon Tube Connector can be panel mounted with two (2) 6-32 screws (not included) or surface mounted with the 10-32 threaded mounting screws. The mounting screws are electroless nickel plated cold rolled steel with a 10-32 female thread tapped in the head of the screw. This permits the vertical stacking of several Ribbon Tube Connectors. The screws completely recess into the socket retaining bar and allow retaining bar assemblies to fit securely together. A 10-32 nut (not supplied) holds multiple assemblies together when not used as a surface mount. The result is a convenient junction point where numerous tube lines can be connected and disconnected easily.

*(Continued on next page)*

## Ribbon Tube Connector



### Ordering Information

The plug barb assembly and socket assembly are sold separately and are available with all barbs of one size. Separate components of the Ribbon Tube Connector are also available for applications requiring assorted barb sizes.

### Product Information

Part Number	Description	Part Number	Description
<b>RTCP-062</b>	Ribbon Tube Plug - 062 barb	<b>RTCS-062</b>	Ribbon Tube Socket - 062 barb
<b>RTCP-110</b>	Ribbon Tube Plug - 110 barb	<b>RTCS-110</b>	Ribbon Tube Socket - 110 barb
<b>RTCP-170</b>	Ribbon Tube Plug - 170 barb	<b>RTCS-170</b>	Ribbon Tube Socket - 170 barb
<b>RTCPB</b>	Ribbon Tube Plug Bar ONLY (with Captive Screws)	<b>RTCSB</b>	Ribbon Tube Socket Bar ONLY (with Captive Screws)
<b>RTPB-062</b>	Ribbon Tube Plug Bar with 062 barb	<b>RTSB-062</b>	Ribbon Tube Socket Bar with 062 barb
<b>RTPB-110</b>	Ribbon Tube Plug Bar with 110 barb	<b>RTSB-110</b>	Ribbon Tube Socket Bar with 110 barb
<b>RTPB-170</b>	Ribbon Tube Plug Bar with 170 barb	<b>RTSB-170</b>	Ribbon Tube Socket Bar with 170 barb

### Materials

*Retaining Bars:* Black Anodized Aluminum

*Plug/Socket assemblies:* Brass, Electroless Nickel Plating

*Mounting Screws:* Cold Rolled Steel, Electroless Nickel Plating

*O-rings:* Buna-N - other materials available- contact factory

(Continued)

Retained in a recessed area near the end of the plug is a Buna N O-ring. Often a face seal requires placement and realignment after each connection and disconnection, this design keeps the O-ring in place. This high quality seal ensures a leakproof fit between the plug and the socket.

