

Quick-Fitting Type with Built-in Stop Mechanism

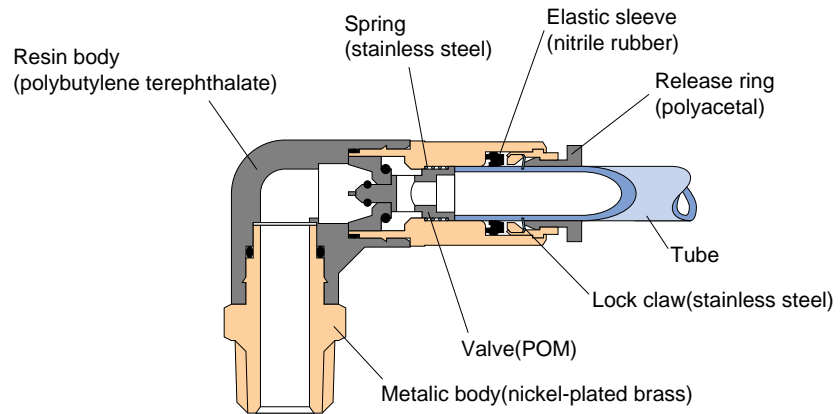
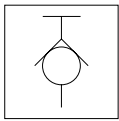
Stop Fitting

Features

- The stop mechanism is built-in Quick-fitting Joint.
- The stop mechanism will operate to stop the air flow when the tube is disconnected and will allow air flow when the tube is connected.
- The double-passage structure facilitates connection and disconnection of the tube.

Construction

Graphical representation

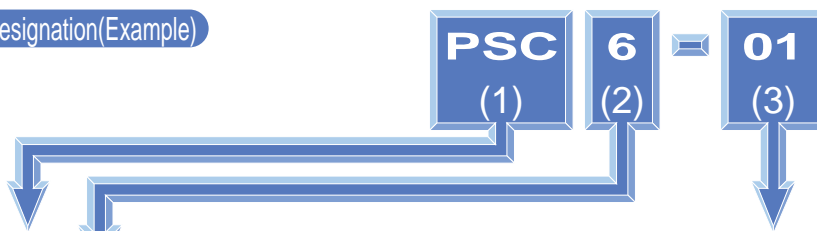


Specification

Fluid admitted	Air
Service pressure range	0~150 psi (0~0.9MPa)
Service temperature range	32~140°F (0~60°C)

⚠ Warning Please contact PISCO when vacuum is admitted.

Model Designation(Example)



(1)Type

(2)Tube dia.

	mm size				
Code	4	6	8	10	12
Size(mm)	φ4	φ6	φ8	φ10	φ12

(3)Thread size

	Metric thread(mm)	Taper pipe thread			
Code	M5	01	02	03	04
Size	M5×0.8	R1/8	R1/4	R3/8	R1/2

⚠ Detailed Safety Instructions

Before using the PISCO device, be sure to read the "Safety Instructions", "Common Safety Instructions for Products Listed in this Manual" on page 23~24 and "Common Safety Instructions for Quick-Fitting Joint" on page 29~31.

⚠ Caution

1. Be careful when you release the Stop Fitting with some internal pressure working. The tube under internal pressure may fly out.
2. Make certain of the operational direction of the stop mechanism by the mark on the body. If you disconnect the tube on the wrong side, air may not stop.