

WOB-L™



2668/2688 SERIES

MODELS

Standard models

2668CE22

2668CE44

2668CHI22

2668CHI44

2688CE22

2688CE44

2688CHI22

2688CHI44

*Other models based
on availability and
minimum purchase.*

2668CE32

2668CE40

2668CHI32

2668CHI40

2668CS44

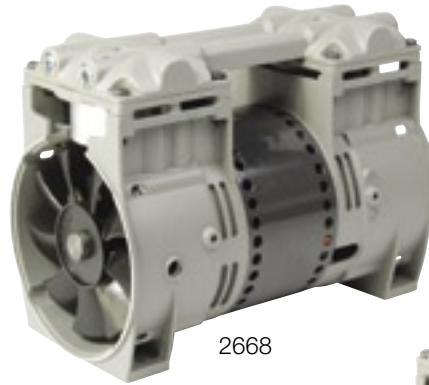
2688CE32

2688CE40

2688CHI32

2688CHI40

2688CS44



2668



2688

FEATURES

- Head design allows easily replaced piston seal
- Oil-less, non-lube piston and cylinder
- Permanently lubricated bearings
- Stainless steel valves
- Lightweight die cast aluminum components
- Long-life, high performance piston seal
- Thin wall, hard-coated aluminum cylinder for maximum heat transfer
- Twin fans provide cooling air through and around motor and cylinders
- Dual intake/exhaust manifold system for easy piping
- Balanced for smooth, low vibration operation
- Field service capability
- Inlet filter
- Capacitor
- All wetted aluminum parts treated for corrosion protection from moisture
- Patented one piece head for fewer parts and reduced leak paths
- UL Recognized motor and thermal protector, 115v/60Hz models
- CE/TUV approved, 220-240/50Hz models
(Consult factory for non-standard models)
- Kit options: Guards/Capacitor cover/Cords

Consult factory for custom applications

ISO 9001
CERTIFIED

THOMAS
A Gardner Denver Product

2668 & 2688 Series Performance Data

		Standard				Standard			
MODEL NUMBERS		2668CE22 2688CE22		2668CE32 2688CE32		2668CE40 2688CE40		2668CE44 2688CE44	
HEAD CONFIGURATION		Pressure/Vacuum		Pressure/Vacuum		Pressure/Vacuum		Pressure/Vacuum	
STROKE		.220 Inches		.320 Inches		.400 Inches		.440 Inches	
PRESSURE		Flow @ 115v		Flow @ 115v		Flow @ 115v		Flow @ 115v	
CFM @ PSI	LPM @ bar								
PSI	bar	CFM	LPM	CFM	LPM	CFM	LPM	CFM	LPM
0	0	1.68	47.6	2.40	68.0	2.95	83.5	3.15	89.2
10	.5	1.55	45.0	2.25	64.9	2.75	79.4	2.93	84.7
20	1.0	1.40	42.0	2.05	61.2	2.50	74.7	2.72	80.3
30	1.5	1.25	38.9	1.85	57.1	2.30	69.8		76.0
40	2.0	1.10	35.9	1.70	53.0		65.7		71.7
50	3.0	.95	29.7	1.50	46.1				
60	5.0	.80	19.1						
70	7.0	.70	10.9						
80		.60							
90		.50							
100		.40							
MAX. CONTINUOUS PRESSURE		100 PSI	6.9 bar	50 PSI	3.4 bar	30 PSI	2.1 bar	25 PSI	1.7 bar
MAX. INTERMITTENT PRESSURE		100 PSI	6.9 bar	50 PSI	3.4 bar	30 PSI	2.1 bar	25 PSI	1.7 bar
VACUUM		Flow @ 115 v		Flow @ 115 v		Flow @ 115 v		Flow @ 115 v	
CFM @ IN. hg	LPM @ mbar (gauge)								
IN. hg	mbar (gauge)	CFM	LPM	CFM	LPM	CFM	LPM	CFM	LPM
0	0	1.68	47.6	2.40	68.0	2.95	83.5	3.15	89.2
5	-100	1.20	39.6	1.60	54.6	2.05	68.5	2.30	75.0
10	-200	.93	32.6	1.20	43.3	1.50	55.2	1.60	61.5
15	-400	.63	23.3	.89	30.8	1.00	37.3	1.10	40.2
20	-600	.33	13.2	.49	19.0	.59	22.0	.64	24.1
25	-800		3.2		5.7	.16	7.9	.18	8.7
MAX. VACUUM		26.2" hg	-887 mbar	27.0" hg	-914 mbar	27.4" hg	-928 mbar	27.6" hg	-935 mbar
MAX. AMBIENT AIR TEMP.		104° F	40°C	104° F	40°C	104° F	40°C	104° F	40°C
MIN. AMBIENT START TEMP.		50° F	10°C	50° F	10°C	50° F	10°C	50° F	10°C
MAX. RESTART PRESSURE		0 PSI	0 bar	0 PSI	0 bar	0 PSI	0 bar	0 PSI	0 bar
MAX. RESTART VACUUM		0"hg	0mbar	0"hg	0mbar	0"hg	0mbar	0"hg	0mbar
MOTOR VOLTAGE/FREQUENCY		115/60/1		115/60/1		115/60/1		115/60/1	
MOTOR TYPE		Permanent Split Cap.		Permanent Split Cap.		Permanent Split Cap.		Permanent Split Cap.	
CURRENT AT RATED LOAD (AMPS)		3.3		3.9		4.5		4.7	
POWER AT RATED LOAD (WATTS)		250		370		440		470	
STARTING CURRENT (LOCKED ROTOR, AMPS)		12.8		12.8		12.8		12.8	
CAPACITOR VALUE		7 mfd		7 mfd		7 mfd		7 mfd	
MIN. FULL LOAD SPEED (RPM)		1740		1670		1630		1600	
THERMAL PROTECTOR		Yes		Yes		Yes		Yes	
NET WEIGHT		14.3 lbs.	6.5 kg	15.3 lbs.	6.9 kg	16.1 lbs.	7.3 kg	16.1 lbs.	7.3 kg

The information presented in this material is based on technical data and test results of nominal units. It is believed to be accurate and reliable and is offered as an aid to help in the selection of Thomas products. It is the responsibility of the user to determine the suitability of the product for his intended use and the user assumes all risk and liability whatsoever in connection therewith. Thomas Industries does not warrant, guarantee or assume any obligation or liability in connection with this information.

NOTE: Models pictured are representative of the series and do not represent a specific model number. Consult factory for detailed physical description.

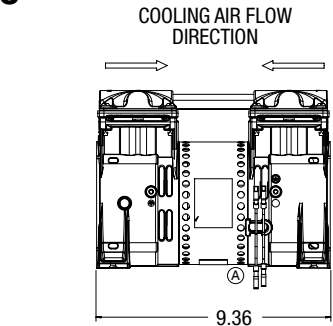
NOTE: 2668 models do not have fan guard or cord standard, these are options. 2688 models include fan guard and cord standard.

2668 & 2688 Series Performance Data

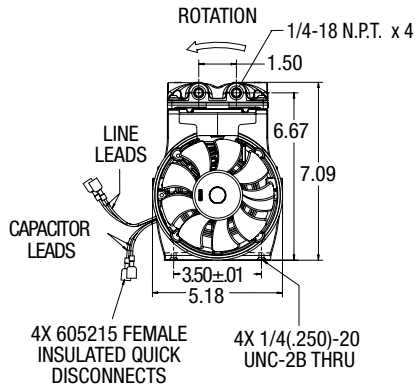
		Standard				Standard					
MODEL NUMBERS		2668CHI22 2688CHI22		2668CHI32 2688CHI32		2668CHI40 2688CHI40		2668CHI44 2688CHI44		2668CS44 2688CS44	
HEAD CONFIGURATION		Pressure/Vacuum		Pressure/Vacuum		Pressure/Vacuum		Pressure/Vacuum		Pressure/Vacuum	
STROKE		.220 Inches		.320 Inches		.400 Inches		.440 Inches		.440 Inches	
PRESSURE		Flow @ 220/240v		Flow @ 220/240v		Flow @ 220/240v		Flow @ 220/240v		Flow @ 100v-50/60 Hz	
CFM @ PSI	LPM @ bar										
PSI	bar	CFM	LPM	CFM	LPM	CFM	LPM	CFM	LPM	CFM	LPM
0	0	1.40	39.7	2.00	56.6	2.50	70.8	2.70	76.5	2.70 / 3.15	76.5 / 89.2
10	.5	1.25	36.6	1.80	52.5	2.40	68.7	2.50	72.3	2.50 / 2.93	72.3 / 84.7
20	1.0	1.13	33.9	1.60	48.4	2.30	66.7	2.25	67.6	2.25 / 2.72	67.6 / 80.3
30	1.5	1.10	31.8	1.42	44.4	2.05	63.9		62.5		62.5 / 76.0
40	2.0	.85	31.2	1.25	40.7		58.8		57.3		57.3 / 71.7
50	3.0	.71	22.7	1.10	34.0						
60	5.0	.60	13.3								
70	7.0	.50	5.9								
80		.38									
90		.30									
100		.22									
MAX. CONTINUOUS PRESSURE		100 PSI	6.9 bar	50 PSI	3.4 bar	30 PSI	2.1 bar	25 PSI	1.7 bar	25 PSI	1.7 bar
MAX. INTERMITTENT PRESSURE		100 PSI	6.9 bar	50 PSI	3.4 bar	30 PSI	2.1 bar	25 PSI	1.7 bar	25 PSI	1.7 bar
VACUUM		Flow @ 220/240 v		Flow @ 220/240 v		Flow @ 220/240 v		Flow @ 220/240 v		Flow @ 100v-50/60 Hz	
CFM @ IN. hg	LPM @ mbar (gauge)										
IN. hg	mbar (gauge)	CFM	LPM	CFM	LPM	CFM	LPM	CFM	LPM	CFM	LPM
0	0	1.40	39.7	2.00	56.6	2.50	70.8	2.70	76.5	2.70 / 3.15	76.5 / 89.2
5	-100	1.00	33.0	1.40	46.6	1.70	57.4	2.00	64.7	2.00 / 2.30	64.7 / 75.0
10	-200	.80	27.3	1.10	38.1	1.30	46.1	1.40	53.6	1.40 / 1.60	53.6 / 61.5
15	-400	.39	18.5	.74	27.5	.91	32.8	.98	35.3	.98 / 1.10	35.3 / 40.2
20	-600	.29	9.5	.43	16.2	.52	19.8	.57	21.4	.57 / 1.10	21.4 / 31.1
25	-800		6.2		5.8		6.7		7.7	/ .18	7.7 / 12.3
MAX. VACUUM		26.3" hg	-891 mbar	26.9" hg	-911 mbar	27.4"hg	-928 mbar	27.6"hg	-935 mbar	27.6"hg	-935 mbar
MAX. AMBIENT AIR TEMP.		104° F	40°C	104° F	40°C	104° F	40°C	104° F	40°C	104° F	40°C
MIN. AMBIENT START TEMP.		50° F	10°C	50° F	10°C	50° F	10°C	50° F	10°C	50° F	10°C
MAX. RESTART PRESSURE		0 PSI	0 bar	0 PSI	0 bar	0 PSI	0 bar	0 PSI	0 bar	0 PSI	0 bar
MAX. RESTART VACUUM		0"hg	0mbar	0"hg	0mbar	0"hg	0mbar	0"hg	0mbar	0"hg	0mbar
MOTOR VOLTAGE/FREQUENCY		220-240/50/1		220-240/50/1		220-240/50/1		220-240/50/1		100-50/60/1	
MOTOR TYPE		Permanent Split Cap.		Permanent Split Cap.		Permanent Split Cap.		Permanent Split Cap.		Permanent Split Cap.	
CURRENT AT RATED LOAD (AMPS)		1.2		1.4		1.5		1.6		3.6 / 3.7	
POWER AT RATED LOAD (WATTS)		210		270		315		325		295 / 345	
STARTING CURRENT (LOCKED ROTOR, AMPS)		3.6		3.8		3.8		3.8		12.0 / 11.0	
CAPACITOR VALUE		7 mfd		7 mfd		7 mfd		7 mfd		15 mfd	
MIN. FULL LOAD SPEED (RPM)		1410		1350		1300		1290		1385 / 1675	
THERMAL PROTECTOR		Yes		Yes		Yes		Yes		Yes	
NET WEIGHT		14.3 lbs.	6.5 kg	15.3 lbs.	6.9 kg	16.1 lbs.	7.3 kg	16.1 lbs.	7.3 kg	16.1 lbs.	7.3 kg

Dimensions

2668



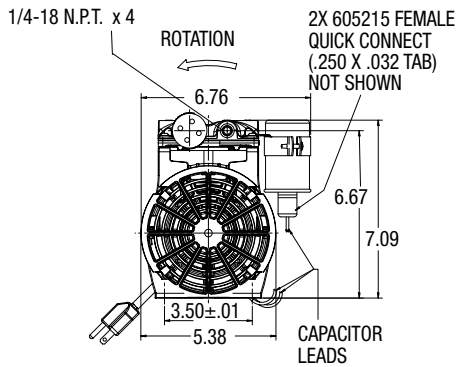
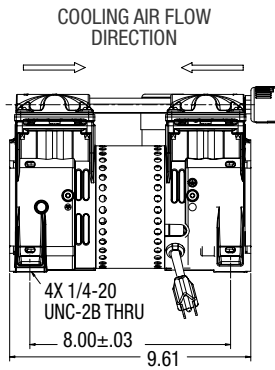
WIRING DIAGRAM
ORIENT SUCH THAT IT
CAN BE READ WHEN
VIEWED FROM LEAD END



MODEL	A
2668	#8-32 UNC-2B
2688	THREAD THRU
2660	1/4-20 UNC-2B
2680	THREAD THRU

Patent No. 6056521

2688



MODEL	A
2668	#8-32 UNC-2B
2688	THREAD THRU
2660	1/4-20 UNC-2B
2680	THREAD THRU

Patent No. 6056521

THOMAS
A Gardner Denver Product

Thomas Products Division
1419 Illinois Ave
Sheboygan, WI 53082 USA
Phone: (920) 457-4891
Fax: (920) 451-4276
www.thomaspumps.com